

STORAGE SYSTEM 90

System90 shelving is designed specifically to be durable and versatile. Both freestanding floor units and wall modules feature "Trakwall," the look of slatwall with the strength of metal. The Modular system can be configured to fit nearly any space.

An array of "Trakwall" accessories are available which include: specialty shelves, baskets, hooks and apparel face outs.



This system features a boltless design for easy assembly, saving costly installation time.



Create a visually cohesive retail environment while handling a diverse product mix with System90, a refreshing approach to shelving and fixturing.

Metal Dynamics

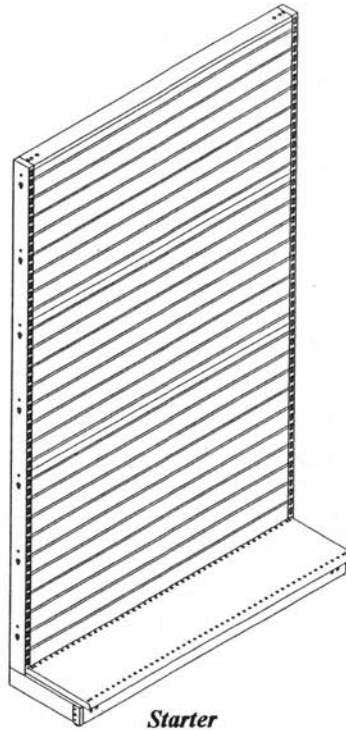
30 East Tenth Street New Albany, Indiana 47150 • Phone (812) 949-7998 Fax (812) 949-8187 • www.metaldynamicsltd.com

WALL UNITS

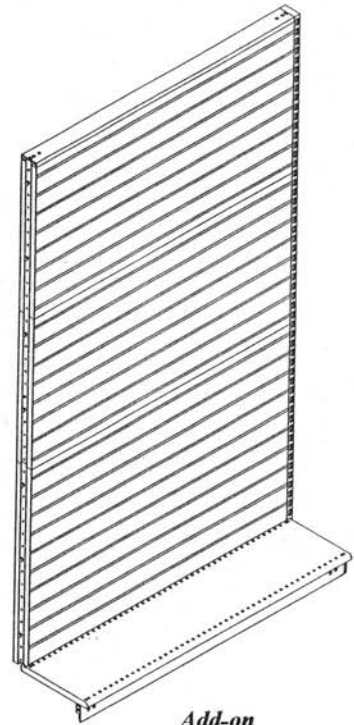


System/90 wall units come in 60" to 144" heights, 12" to 30" depths, and 24", 36" and 48" widths. A complete system of starter and add-on units, cornice kits, and flush base wall modules are illustrated in this section. The stock numbers are available with 3" on center metal slatwall back panels. Optional back panels, such as solid metal back panels are available. It is recommended that all wall units be secured to the wall with anchor kits. See this section for wall anchor kit information.

Note: Only one wall unit starter is required for each fixture run, regardless of length. Each wall section must begin with a wall unit starter.



Starter



Add-on

Wall Unit Starter

stock no.	height	depth	width
90-721748S	72"	17"	48"
90-721736S	72"	17"	36"
90-721724S	72"	17"	24"
90-722448S	72"	24"	48"
90-722436S	72"	24"	36"
90-722424S	72"	24"	24"

90-841748S	84"	17"	48"
90-841736S	84"	17"	36"
90-841724S	84"	17"	24"
90-842448S	84"	24"	48"
90-842436S	84"	24"	36"
90-842424S	84"	24"	24"

90-961748S	96"	17"	48"
90-961736S	96"	17"	36"
90-961724S	96"	17"	24"
90-962448S	96"	24"	48"
90-962436S	96"	24"	36"
90-962424S	96"	24"	24"

Wall Unit Add-on

stock no.	height	depth	width
90-721748A	72"	17"	48"
90-721736A	72"	17"	36"
90-721724A	72"	17"	24"
90-722448A	72"	24"	48"
90-722436A	72"	24"	36"
90-722424A	72"	24"	24"

90-841748A	84"	17"	48"
90-841736A	84"	17"	36"
90-841724A	84"	17"	24"
90-842448A	84"	24"	48"
90-842436A	84"	24"	36"
90-842424A	84"	24"	24"

90-961748A	96"	17"	48"
90-961736A	96"	17"	36"
90-961724A	96"	17"	24"
90-962448A	96"	24"	48"
90-962436A	96"	24"	36"
90-962424A	96"	24"	24"

Note: If you require a module size that is not listed above, please call for product information. All units are coated -9 Sea Pearl with -2 Black kick plate bases (standard). Other colors are available. Call 812-949-7998 for selection and delivery lead time.

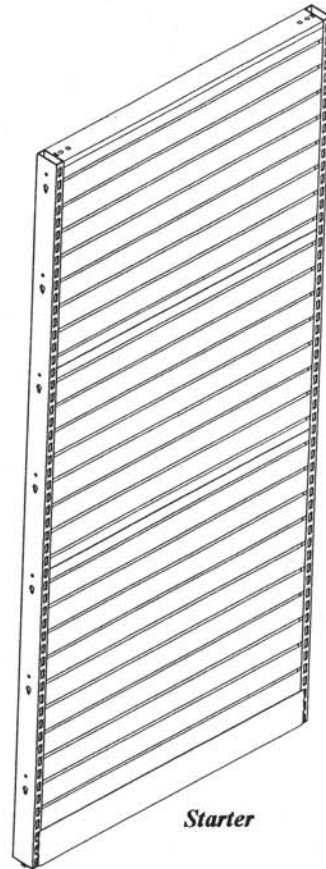
Flush Walls



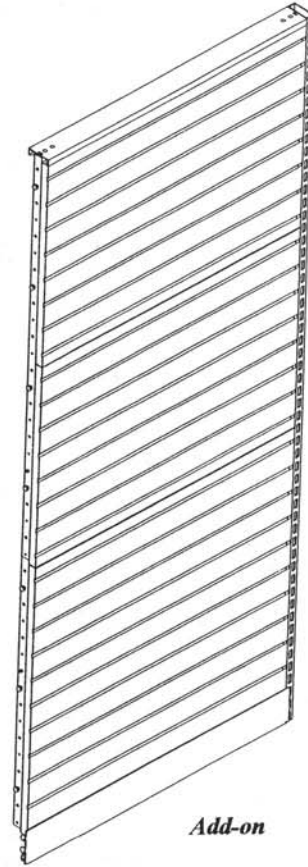
System/90 flush wall units come in 60" to 144" heights and 24", 36" and 48" widths. The flush wall stock numbers are available with 3" on center metal slatwall back panels.

Optional back panels, such as solid metal back panels are available. It is recommended that all units be secured to the wall with anchor kits. See this section for wall anchor kit information.

Note: Only one flush wall unit starter is required for each fixture run, regardless of length. Each flush wall section must begin with a flush wall unit starter.



Starter



Add-on

Flush Wall Starter

stock no.	height	depth	width
90-7248S	72"	2.75"	48"
90-7236S	72"	2.75"	36"
90-7224S	72"	2.75"	24"
90-7248S	72"	2.75"	48"
90-7236S	72"	2.75"	36"
90-7224S	72"	2.75"	24"

90-8448S	84"	2.75"	48"
90-8436S	84"	2.75"	36"
90-8424S	84"	2.75"	24"
90-8448S	84"	2.75"	48"
90-8436S	84"	2.75"	36"
90-8424S	84"	2.75"	24"

90-9648S	96"	2.75"	48"
90-9636S	96"	2.75"	36"
90-9624S	96"	2.75"	24"
90-9648S	96"	2.75"	48"
90-9636S	96"	2.75"	36"
90-9624S	96"	2.75"	24"

Flush Wall Add-on

stock no.	height	depth	width
90-7248A	72"	2.75"	48"
90-7236A	72"	2.75"	36"
90-7224A	72"	2.75"	24"
90-7248A	72"	2.75"	48"
90-7236A	72"	2.75"	36"
90-7224A	72"	2.75"	24"

90-8448A	84"	2.75"	48"
90-8436A	84"	2.75"	36"
90-8424A	84"	2.75"	24"
90-8448A	84"	2.75"	48"
90-8436A	84"	2.75"	36"
90-8424A	84"	2.75"	24"

90-9648A	96"	2.75"	48"
90-9636A	96"	2.75"	36"
90-9624A	96"	2.75"	24"
90-9648A	96"	2.75"	48"
90-9636A	96"	2.75"	36"
90-9624A	96"	2.75"	24"

Note: If you require a module size that is not listed above, please call for product information. All units are coated -9 Sea Pearl with -2 Black kick plate bases (standard). Other colors are available. Call 812-949-7998 for selection and delivery lead time.

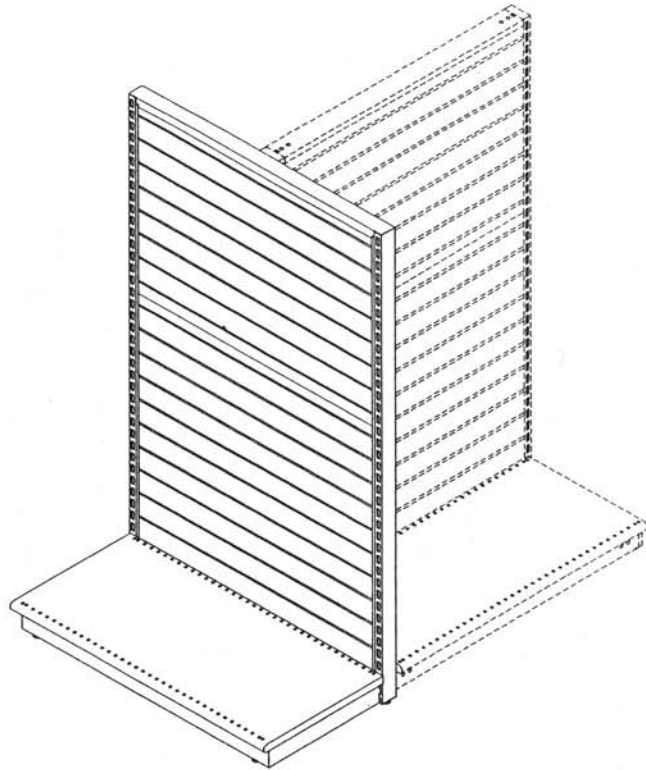
FEATURE END



System/90 feature end units and feature end panels come in 54" to 120" heights, flush to 24" depths and 24", 36" and 48" widths. These units have 3" on center metal slatwall back panels (standard).

Optional back panels, such as solid metal back panels are available.

Note: End units and end panels are not freestanding. They must be attached to the end of a gondola.



Feature End Unit
(shown connected to gondola starter)

Feature End Unit

stock no.	height	depth	width
90-FEU601748	60"	17"	48"
90-FEU601736	60"	17"	36"
90-FEU601724	60"	17"	24"
90-FEU602448	60"	24"	48"
90-FEU602436	60"	24"	36"
90-FEU602424	60"	24"	24"
<hr/>			
90-FEU721748	72"	17"	48"
90-FEU721736	72"	17"	36"
90-FEU721724	72"	17"	24"
90-FEU722448	72"	24"	48"
90-FEU722436	72"	24"	48"
90-FEU722424	72"	24"	48"
<hr/>			
90-FEU961748	96"	17"	48"
90-FEU961736	96"	17"	36"
90-FEU961724	96"	17"	24"
90-FEU962448	96"	24"	48"
90-FEU962436	96"	24"	36"
90-FEU962424	96"	24"	24"

Feature End Panel (without base deck)

stock no.	height	depth	width
90-FEP601748	60"	2"	48"
90-FEP601736	60"	2"	36"
90-FEP601724	60"	2"	24"
<hr/>			
90-FEP7248	72"	2"	48"
90-FEP7236	72"	2"	36"
90-FEP7224	72"	2"	24"
<hr/>			
90-FEP9648	96"	2"	48"
90-FEP9636	96"	2"	36"
90-FEP9624	96"	2"	24"

Note: If you require a module size that is not listed above, please call for product information. All units are coated -9 Sea Pearl with -2 Black kick plate bases (standard). Other colors are available. Call 812-949-7998 for selection and delivery lead time.

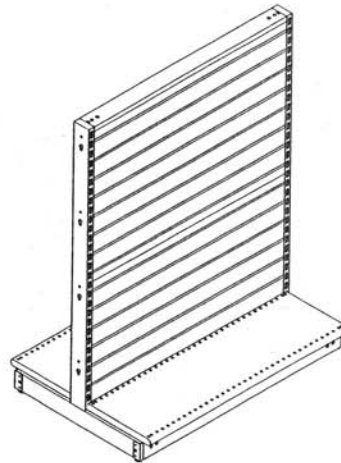
GONDOLAS



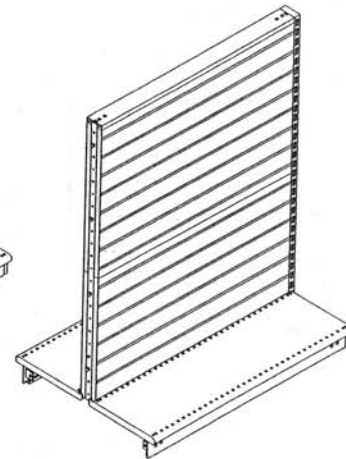
System/90 gondolas are available in 54", 60", 72", 84" and 96" heights, 36" and 48" depths and 36" and 48" module widths. Optional features such as decor panels, specialized accessories, and a variety of color options allow you to create units to compliment your retail space.

A complete system of starter and add-on units are illustrated in this section. The stock numbers are available with 3" o.c. metal slat-wall back panels. Optional back panels are available.

Note: Only one starter gondola is required for each fixture run, regardless of length. Add-on gondolas are not freestanding.



Starter



Add-on

Starter Gondolas

stock no.	height	depth	width
90-603648S	60"	36"	48"
90-603636S	60"	36"	36"
90-603624S	60"	36"	24"
90-604848S	60"	48"	48"
90-604836S	60"	48"	36"
90-604824S	60"	48"	24"

90-723648S	72"	36"	48"
90-723636S	72"	36"	36"
90-723624S	72"	36"	24"
90-724848S	72"	48"	48"
90-724836S	72"	48"	36"
90-724824S	72"	48"	24"

90-963648S	96"	36"	48"
90-963636S	96"	36"	36"
90-963624S	96"	36"	24"
90-964848S	96"	48"	48"
90-964836S	96"	48"	36"
90-964824S	96"	48"	24"

Add-on Gondolas

stock no.	height	depth	width
90-603648A	60"	36"	48"
90-603636A	60"	36"	36"
90-603624A	60"	36"	24"
90-604848A	60"	48"	48"
90-604836A	60"	48"	36"
90-604824A	60"	48"	24"

90-723648A	72"	36"	48"
90-723636A	72"	36"	36"
90-723624A	72"	36"	24"
90-724848A	72"	48"	48"
90-724836A	72"	48"	36"
90-724824A	72"	48"	24"

90-963648A	96"	36"	48"
90-963636A	96"	36"	36"
90-963624A	96"	36"	24"
90-964848A	96"	48"	48"
90-964836A	96"	48"	36"
90-964824A	96"	48"	24"

Note: If you require a module size that is not listed above, please call for product information. All units are coated -9 Sea Pearl with -2 Black kick plate bases (standard). Other colors are available. Call 812-949-7998 for selection and delivery lead time.

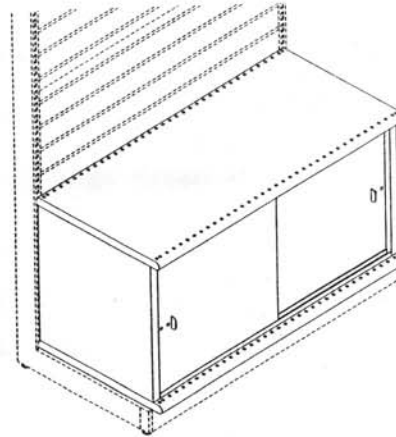
BUNKERS



System/90 bunker units replace the base deck on both the wall units and gondolas. Ideal for storing under stock on the retail floor, rather than in the stock room.

The bunker unit utilizes the gondola or wall unit's base deck as the top of the bunker cabinet. The top of the bunker unit has binning holes to accept System/90's standard binning.

Note: Standard bunker unit sizes for System/90 are 12" and 17" depths. Optional bunker depths are available.



Bunker Units

stock no.	height	depth	width
90-NSB1748	17"	17"	48"
90-NSB1736	17"	17"	36"
90-NSB1724	17"	17"	24"
90-NSB1248	17"	12"	48"
90-NSB1236	17"	12"	36"
90-NSB1224	17"	12"	24"

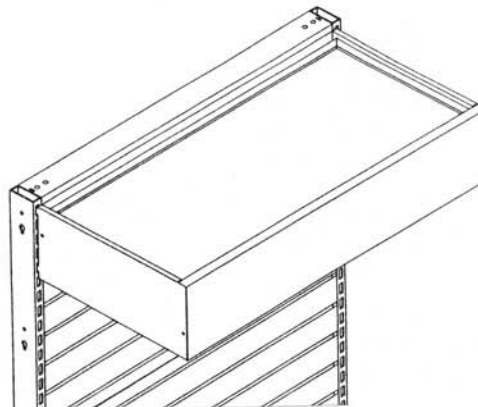
CORNICES



System/90 offers a cornice kit for its wall and flush wall units. This kit features a top pan for easy mounting of a light fixture (not included).

Cornice starter kit has two end panels to trim off the wall unit run.

Note: Each wall run requires a cornice starter kit. Cornice add-on kits are recommended thereafter.



Cornice Kits

stock no.	height	depth	width
90-NC48S (starter)	7"	17"	48"
90-NC48A	7"	17"	48"
90-NC36S (starter)	7"	17"	36"
90-NC36A	7"	17"	36"
90-NC24S (starter)	7"	17"	24"
90-NC24A	7"	17"	24"

Note: If you require a module size not listed above, please call for product information. All units are coated -9 Sea Pearl with -2 kick plate bases (standard). Other colors are available. Call 812-949-7998 for selection and delivery lead time.

HARDWARE



System/90's anchor bracket kits fit all wall posts in the System/90 product line. The unique design secures the upright post to the wall, reducing the risk of tipping. Starter walls and starter flush walls require the starter wall anchor kit. Each kit contains two brackets.

Wall Anchor Bracket Starter Kit

stock no.	height	width
90-5284-02	4"	2"

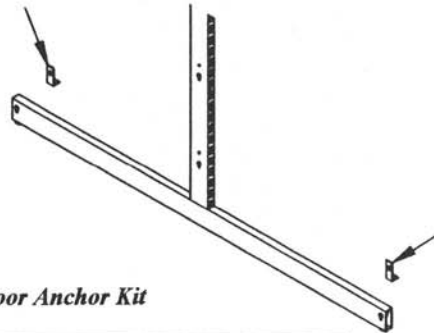


Wall Anchor Bracket Intermediate Kit

stock no.	height	width
90-5284-01	4"	5 1/16"



Floor anchor kit features an ob-round hole for precise leveling adjustments. Each kit contains four anchors.



Floor Anchor Kit

stock no.
90-4610-01

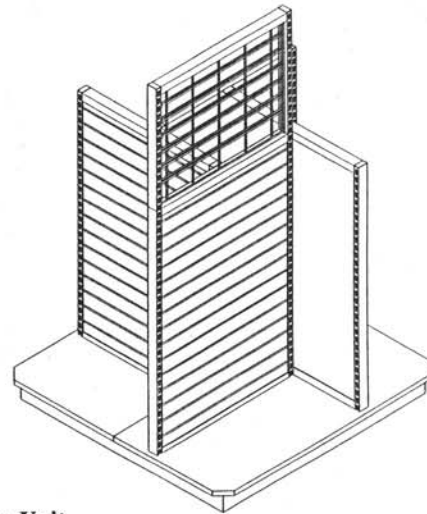
Key hole strips lock into the upright post to add the finishing touch where a corner filler or feature end unit is not required. The standard lengths are listed (see table).

Key Hole Strips

stock no.	post height
90-KHS72	72"
90-KHS84	84"
90-KHS96	96"

Optional module heights are available. Please call for product information.

SPECIALTY



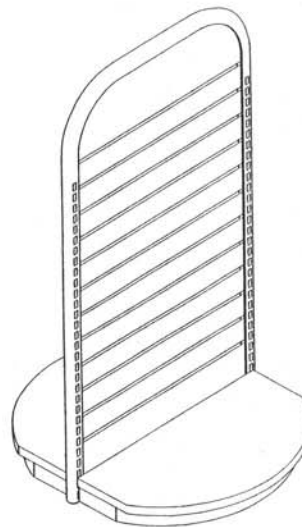
Four Way Unit

stock no.	height	depth	width
SS4-WAY	54"	48"	48"
SS1-GRID (optional)	24"	2"	30"
SS4-WAY SHELF	14"	14"	30"

Metal Dynamics' four way merchandiser features an all-steel construction and heavy duty casters for durability. Faceout back panels are 3" o.c. metal slatwall (standard). The post frames are slotted for System/90 shelving.

The optional bump up slat grid has a slotted frame for continuous shelving possibilities.

Note: Allow additional lead time for all "Specialty" merchandisers.



Focus Unit

stock no.	height	depth	width
SSFOCUS6024	60"	24"	24"
SSFOCUS4824	48"	24"	24"
SSFOCUS SHELF	12"	12"	24"

Focus Unit is designed to add maximum merchandising capabilities in a condensed footprint. This unit features a double-sided 3" o.c. metal slatwall back panel. The frame is slotted for its specialty glass shelf with frame.

Note: Allow additional lead time for all "Specialty" merchandisers.