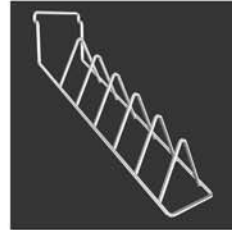


UNIT ACCESSORIES

We can supply you with the accessories that you need. If you do not see it below, our team of designers can create solutions for your specific storage projects.
 (All products come in standard colors of Black, White, and Sea Pearl)



Slatwall Hook
6", 8", 10", and 12"L



Down Slope V-Hook Displayer



Down Slope Ball Stop
9"L



Ball Cap Displayer



Down Slope J Hook
9"L



Wire Basket
4"h x 24"w x 12"d



Straight Bar Face Out
9"L



Gun Barrel Hook for
Metal Slatwall
3" and 6"L



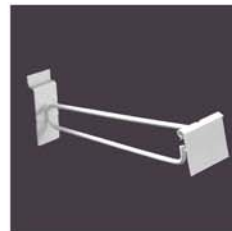
Hang Rod Kit for Slatwall
36" and 46"w



Hand Gun Face Out for
Metal Slatwall



Shelf Tag for Bullnose Shelf
1-3/4"h x 3-1/4"w



Scanner Hook with Scanner Tag
7", 9", and 11"L

Metal Dynamics

UNIT ACCESSORIES

We can supply you with the accessories that you need. If you do not see it below, our team of designers can create solutions for your specific storage projects.

(All products come in standard colors of Black, White, and Sea Pearl)



Round Nose Accent Shelf
9"w x 6"d



Slope Accent Shelf with Front Lip
6"w x 8"d



Book Holder
7"h x 5"w x 1-1/2"d



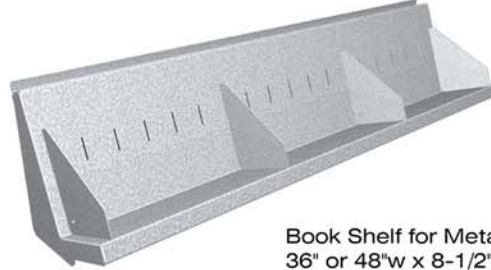
Accent Shelf with Front Metal Lip
6"w x 6"d



Magazine Pocket
12"h x 9"w x 1-1/2"d



Art Frame Holder for Metal Slatwall
3"h x 3"w x 3"d



Book Shelf for Metal Slatwall
36" or 48"w x 8-1/2"d



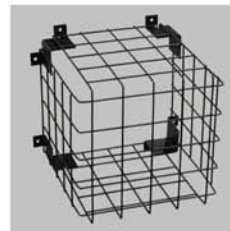
Storage Bin for System90
36"h x 18"w x 17"d



Catalog Holder for Metal Slatwall
10"h x 12-1/2"w x 14"d



Video Tape Storage Cabinet
31 day or 7 day Capacity



Exit Light Cage
12"h x 12"w x 12"d

Metal Dynamics

30 East Tenth Street New Albany, Indiana 47150 • Phone (812) 949-7998 Fax (812) 949-8187 • www.metaldynamicsltd.com

STORAGE

VERSI-STORE

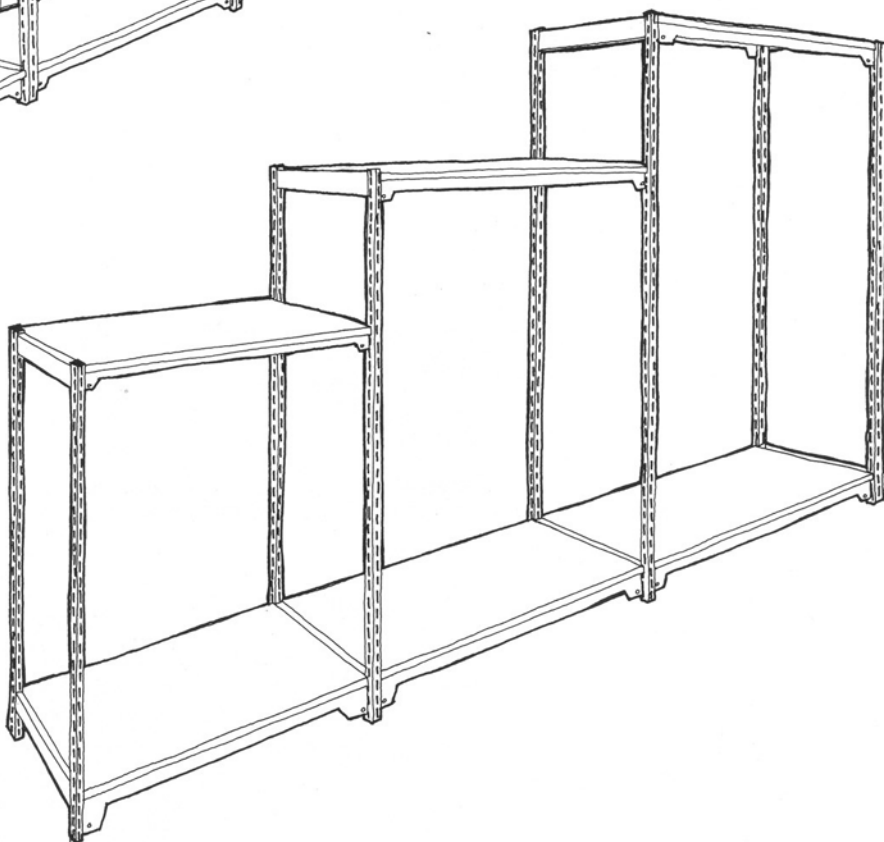
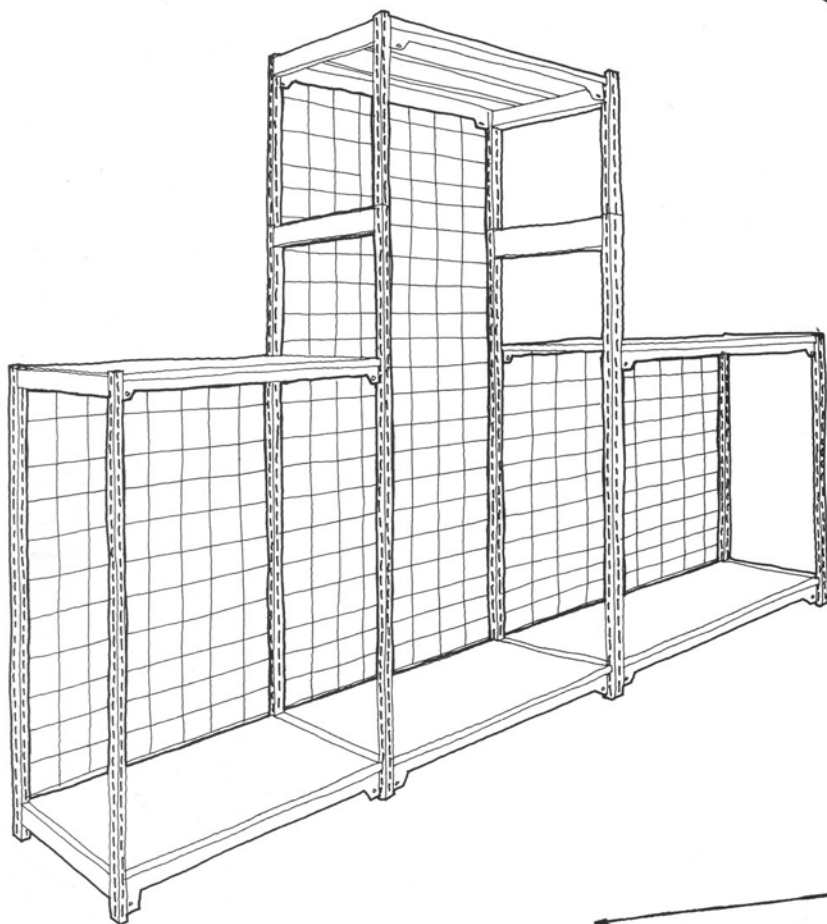
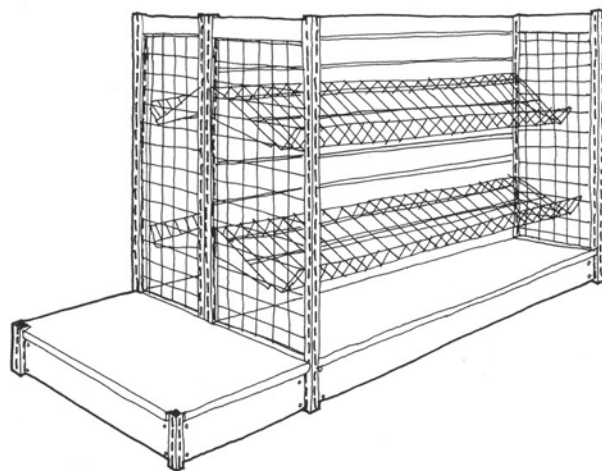


Versi-Store is a modular display system designed to meet the merchandising needs of today's retailers. Its attractive hi-tech finish looks good in any area of the store. All components have a durable epoxy powder coated finish available in your choice of nine contemporary colors.

Versi-Store's steel construction is easy to install. This basic four component system clips together without the use of hardware or tools. A range of accessories, including steel Trakwall, backpanels, clip on signage panels, multi position steel or wire shelves, hangrods and a variety of hook-in displays makes Versi-Store a system capable of fitting your total merchandising needs!

Metal Dynamics

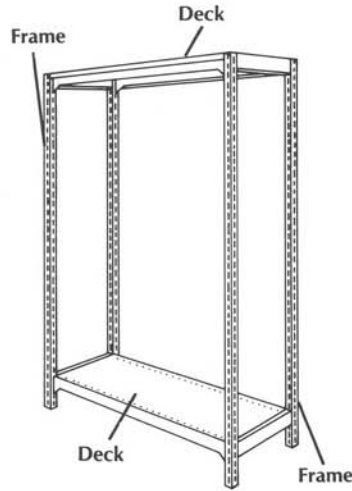
This series of drawings illustrate unit configurations utilizing standard VersiStore units. A complete chart of unit sizes and order numbers are outlined on the page to the right.



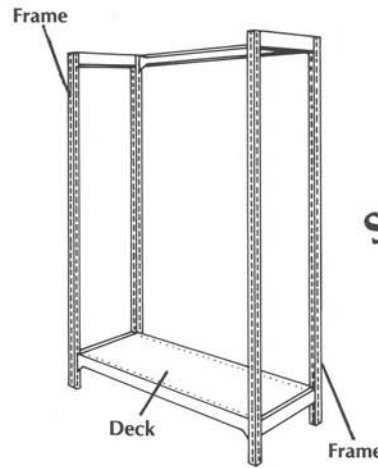
Standard Color Options

- FRAMES: • Gray (-5)
 • White (-6)
 • Charcoal (-11)
 • Red (-20)
- DECKS: • Gray (-5)
 • White (-6)

• Blue, Yellow or other custom colors may be available for large volume programs.



Wall Units
(with top deck)



Wall Units
(without top deck)

Standard Units

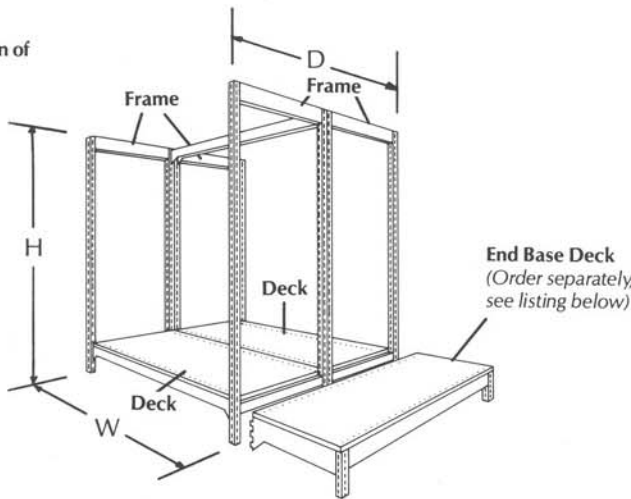
VersiStore standard units are available in 60", 84" and 92" heights and 36" and 48" widths. Single units create wall systems while two units back to back provide a floor application.

This basic component system is comprised of frames, trusses and decks that clip together without the use of hardware. All components are constructed of steel and feature a durable epoxy powder coated finish in a selection of standard and custom colors.

Attach the appropriate color suffix number(s) (shown under "Color Options" listing to the left) to the end of the unit number when ordering. First color number represents frame color and second number represents deck color (e.g. #310-13-20/6 provides red frames and a white deck).

Size/Description	Starter	Add-On	Starter	Add-on
18" D x 36" W x 60" H	310-155	310-156	310-35	310-36
18" D x 48" W x 60" H	310-153	310-154	310-33	310-34
24" D x 36" W x 60" H	310-151	310-152	310-31	310-32
24" D x 48" W x 60" H	310-149	310-150	310-29	310-30
18" D x 36" W x 84" H	310-135	310-136	310-59	310-60
18" D x 48" W x 84" H	310-133	310-134	310-57	310-58
24" D x 36" W x 84" H	310-131	310-132	310-55	310-56
24" D x 48" W x 84" H	310-129	310-130	310-53	310-54
18" D x 36" W x 92" H	310-147	310-148	310-19	310-20
18" D x 48" W x 92" H	310-145	310-146	310-17	310-18
24" D x 36" W x 92" H	310-143	310-144	310-15	310-16
24" D x 48" W x 92" H	310-141	310-142	310-13	310-14

- 72" and 96" tall units available, inquire for ordering procedures.
- Only one Starter required for each run of units (regardless of length).
- Add-On units are not free standing.



Floor Units

End Base Decks

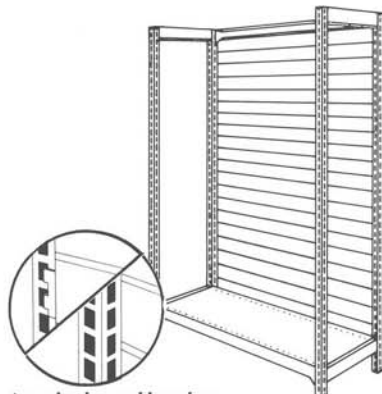
SIZE/DESCRIPTION	STARTER	ADD-ON
36" D x 36" W x 60" H	310-7	310-8
36" D x 48" W x 60" H	310-5	310-6
48" D x 36" W x 60" H	310-3	310-4
48" D x 48" W x 60" H	310-1	310-2

18" D x 36" W	4023-4
18" D x 48" W	4023-2
24" D x 36" W	4023-3
24" D x 48" W	4023-1

• Deeper end base decks may be available, inquire for ordering procedures.

• For 84" and 92" tall floor units, combine (2)-wall units back to back and add anchoring hardware (inquire for further ordering procedures).

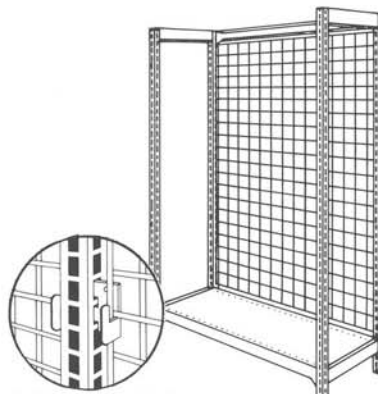
• Add-On units are not free standing.



Attached panel bracket hooks into front or rear of slotted post.

Front Mount overhead plan view Rear Mount overhead plan view

Metal Trakwall



Grid panel hooks into brackets #4150-3 (left) and #4150-4 (right) which hook into sides of slotted posts.

overhead plan view

Wire Grid



Pegboard panels secure onto bracket #4091-1 which hooks into sides of slotted posts.

overhead plan view

Pegboard

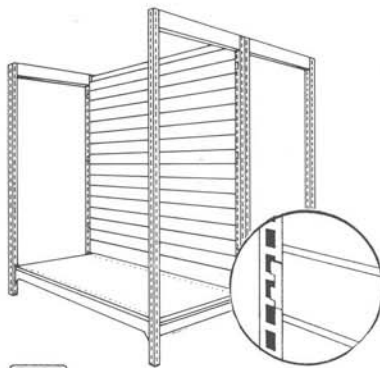
Wall Unit Size

	Front Mount	Rear Mount	Panel	Brackets	
18"/24"D x 36"W x 60" H	311-8	311-242	5116-26	(2)-4150-3 (2)-4150-4	311-237
18"/24"D x 48"W x 60" H	311-7	311-241	5116-22	(2)-4150-3 (2)-4150-4	311-236
18"/24"D x 36"W x 84" H	311-4	311-240	5116-27	(3)-4150-3 (3)-4150-4	311-161
18"/24"D x 48"W x 84" H	311-3	311-239	5116-24	(3)-4150-3 (3)-4150-4	311-160
18"/24"D x 36"W x 92" H	311-2	311-152	5116-23	(3)-4150-3 (3)-4150-4	311-158
18"/24"D x 48"W x 92" H	311-1	311-151	5116-19	(3)-4150-3 (3)-4150-4	311-157

- One set of backpanels required per starter or add-on unit.
- Matching Metal Trakwall, Wire Grid and Pegboard end panels available, inquire for ordering procedures.

- Wire Grid panels and mounting brackets ordered separately, refer to quantities listed.
- When using Wire Grid backpanels, intermediate deck shelf application is restricted to use of #4157 series deck shelves (see accessory section).

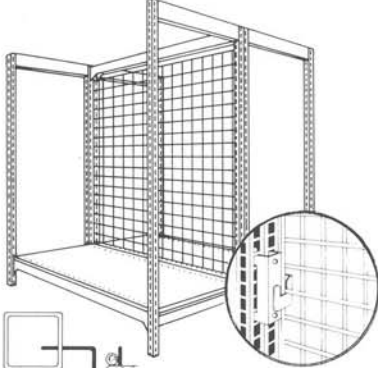
- When using Pegboard backpanel kits listed in this section, intermediate deck shelves can not be used, see "Optional Mountings" #4164-1, this section.
- Pegboard backpanel kits include mounting hardware.



Attached panel bracket hooks into front of slotted post.

overhead plan view

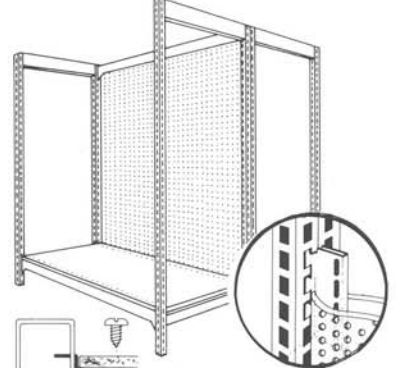
Metal Trakwall



Grid panel hooks on bracket #4180-1 which hooks into sides of two back to back slotted posts.

overhead plan view

Wire Grid



Pegboard panels secure onto bracket #4158-1 which hooks into sides of two back to back slotted posts.

overhead plan view

Pegboard

Floor Unit Size

		Panel	Bracket	
36"/48"D x 36"W x 60" H	(2)-311-8	5116-12	(4)-4180-1	311-170
36"/48"D x 48"W x 60" H	(2)-311-7	5116-11	(4)-4180-1	311-169

- For 84" or 92" tall floor unit backpanel kits, inquire for ordering procedures.
- Matching Metal Trakwall, Wire Grid and Pegboard end panels available, inquire for ordering procedures.

- (2)-Metal Trakwall backpanels required per floor unit.

- Wire Grid panels and mounting brackets ordered separately, refer to quantities listed above.
- When using Wire Grid backpanels, intermediate deck shelf application is restricted to use of #4157 series deck shelves (see accessory section).
- When mounting panels, bracket #4180-1 adapts for left and right-hand use.

- When using Pegboard backpanel kits listed in this section, intermediate deck shelves can not be used, see "Optional Mountings" #4164-1, this section.
- Pegboard backpanel kits include mounting hardware.

One set of backpanels required per starter or add-on unit.

Standard Color Options

METAL TRAKWALL: • Gray (-5)
• White (-6)

WIRE GRID: • Gray (-5)
• White (-6)
• Charcoal (-11)
• Red (-20)

PEGBOARD: • Light Ivory (PB)

• Blue, yellow or other custom powder coat colors and gray pegboard or solid hardboard may be available for large volume programs.

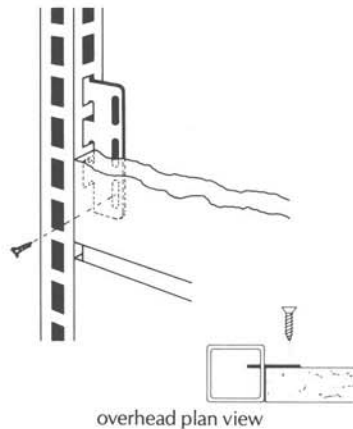
Backpanel Options

Pegboard, Wire Grid and Metal Trakwall backpanel kits for VersiStore standard size units provide additional merchandising capability through a range of hooks and shelving display accessories.

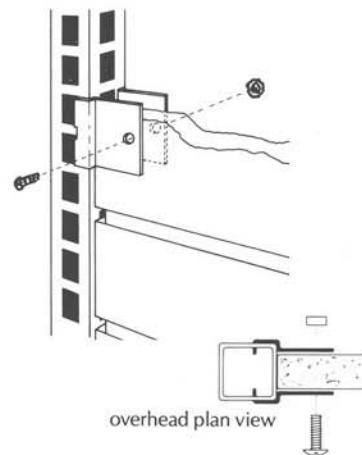
Wire Grid and Metal Trakwall backpanels feature a durable epoxy powder coated finish in a selection of standard and custom colors. Attach the appropriate color suffix number (shown under "Color Options" listing to the left) to the end of the backpanel kit number when ordering (e.g. #311-152-5 provides a set of gray Metal Trakwall backpanels).

Optional Mountings

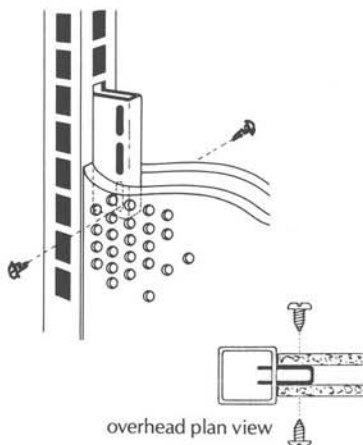
A series of optional backpanel mountings are available to accommodate different merchandising objectives. With the use of the optional components shown in this section, backpanels can be mounted to the VersiStore post in various positions to adapt for appropriate merchandising accessories. Inquire for ordering procedures.



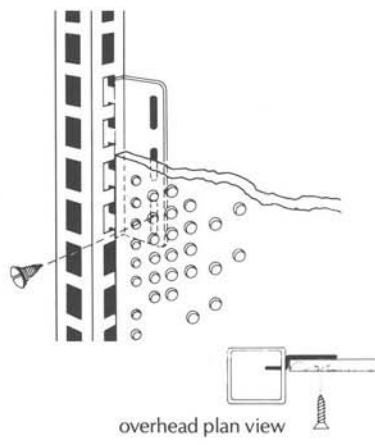
4165-1
Mounting bracket used to position wood slatwall flush with post.



4049-1
Mounting bracket for 3/4" thick wood slatwall, (2)-required per mounting.



4159-1
Mounting bracket for pegboard or solid hardboard (1 or 2 sided).



4164-1
Recessed mounting bracket for pegboard backpanels. NOTE: This mounting method allows for use of intermediate deck shelves (#4157 series).

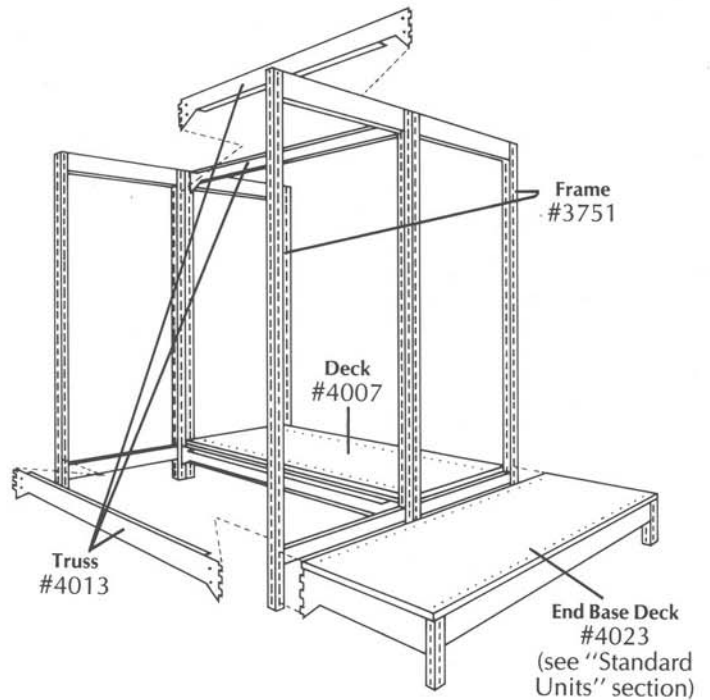
Standard Color Options

FRAMES
TRUSSES

- POST ANCHORS:
- Gray(-5)
 - White(-6)
 - Charcoal(-11)
 - Red(-20)

- DECKS:
- Gray(-5)
 - White(-6)

- Blue, Yellow or other custom colors may be available for large volume programs.



Floor Unit

Size/Description Component #

18" D x 60" H	Frame	3751-4
24" D x 60" H	Frame	3751-7
18" D x 72" H	Frame	3751-5
24" D x 72" H	Frame	3751-8
18" D x 84" H	Frame	3751-6
24" D x 84" H	Frame	3751-9
18" D x 92" H	Frame	3751-10
24" D x 92" H	Frame	3751-13
18" D x 96" H	Frame	3751-26
24" D x 96" H	Frame	3751-27
24" L Truss		4013-9
36" L Truss		4013-2
48" L Truss		4013-1
36" L Kick Plate Truss		4090-2
48" L Kick Plate Truss		4090-1

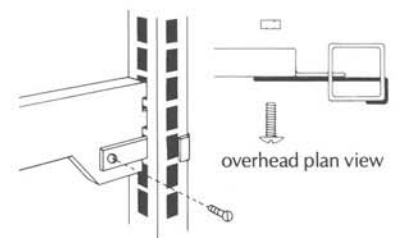
Starter Floor Unit 9000-105
Hardware Kit
Add-on Floor Unit 9000-106
Hardware Kit

- 18" D x 36" W Deck 4007-5
- 18" D x 48" W Deck 4007-6
- 24" D x 36" W Deck 4007-8
- 24" D x 48" W Deck 4007-9

18" W Shelf Bracket 3753-2
24" W Shelf Bracket 3753-3

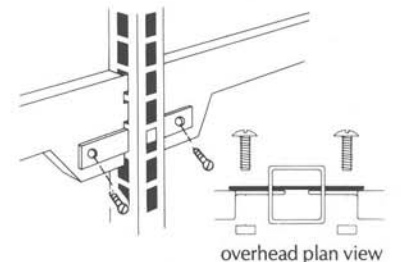
End Truss Locking Plate 4043-1
Intermediate Truss Locking Plate 4042-1
Post Clamp 4035-1
Post Anchor Strap 4018-1
Floor Anchor Strap 4017-1
Post Corner Connector 4142-1

- (2)-Shelf Brackets required for each Deck.
- Deck Shelves (#4007 series) may be used as upper elevation shelving and require special backpanel mounting procedures on units (inquire for ordering procedures if use with backpanels is desired).



End Truss Locking Plate
#4043-1

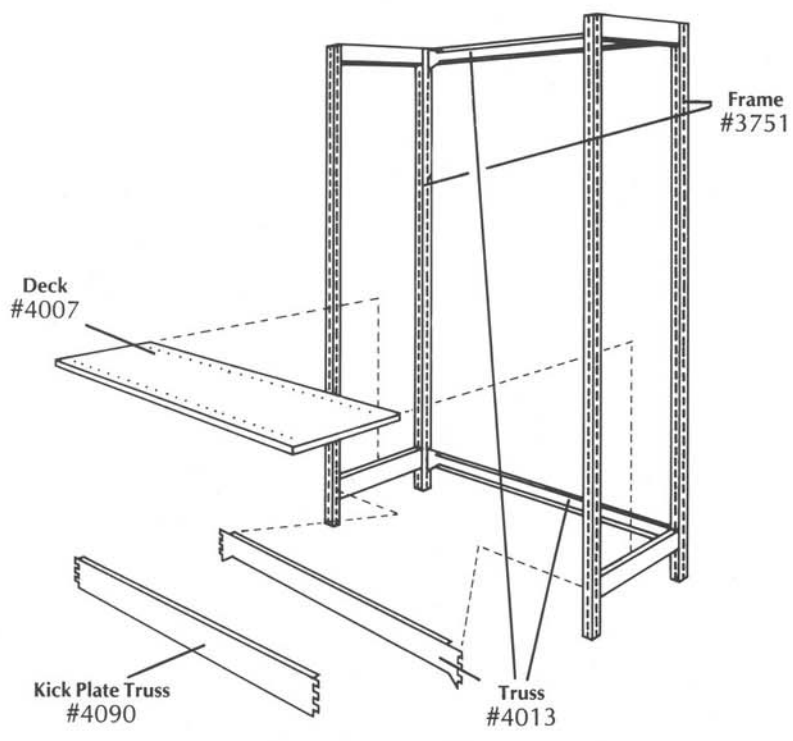
Secures inserted truss into post.



Intermediate Truss Locking Plate
#4042-1

Secures inserted trusses (in a run of units) into post.

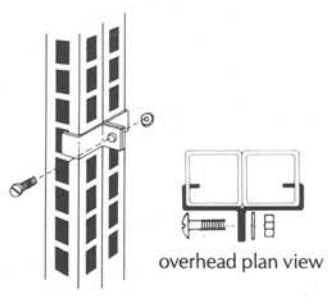
Components



Wall Unit

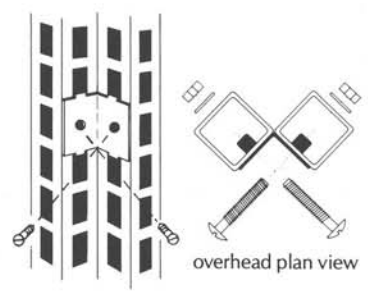
VersiStore components and hardware allow for special system applications and additions. A basic series of components and anchoring hardware are listed in this section, inquire for detailed ordering procedures to meet specific merchandising requirements.

Post Anchors



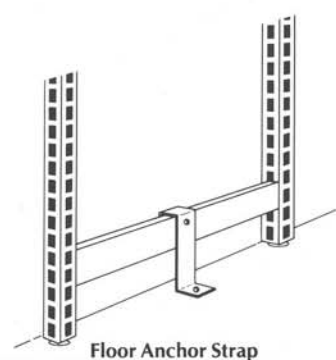
Post Clamp
#4035-1

Anchors two frame posts together in floor unit applicaton.



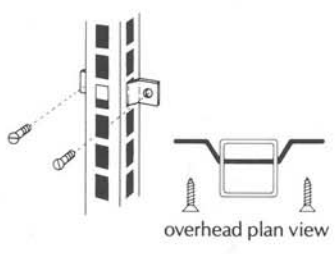
Post Corner Connector
#4142-1

Anchors two posts at 90° angle.



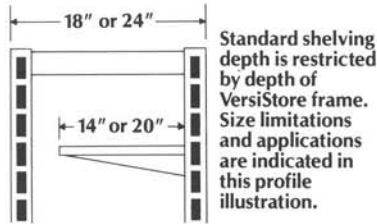
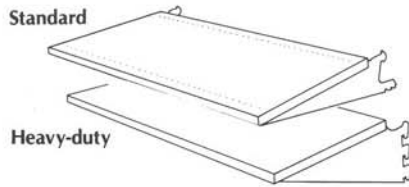
Floor Anchor Strap
#4017-1

Secures unit frames to floor. Two anchors recommended for 84" and taller units.



Post Anchor Strap
#4018-1

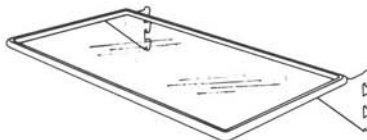
Mounts to furring strip to secure frame to wall.



Standard and Heavy-duty Shelves

Size	Standard	H-Duty
8\"/>		

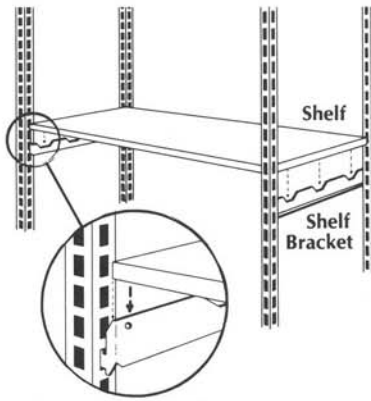
- Shelves available in standard Gray (-5) or White (-6) powder coated finish. Other custom colors may be available for large volume programs.
- 23\"/>



Glass Shelf

Size	Component #
8\"/>	

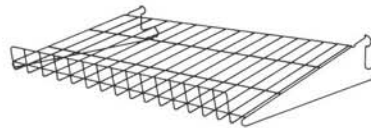
- Order numbers listed above provide shelf frame and glass.
- Frame available in choice of Gray (-5) or White (-6) powder coated color finish. Other custom colors may be available for large volume programs.



Intermediate Deck Shelves

Size/Description	Component #
18\"/>	

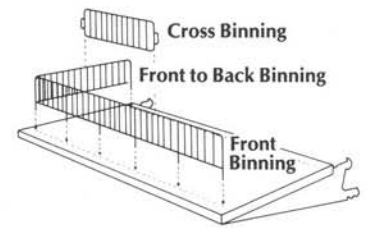
- 36\"/>
- (2)-shelf brackets required per shelf.
- The #4157 Intermediate Deck Shelf is designed for use with Metal Trakwall (Rear Mount), and Wire Grid backpanel kits shown in "Backpanel Options" section of this catalog.
- Shelves and Brackets available in choice of Gray (-5) or White (-6) powder coated color finish. Other customer colors available for large volume programs.



Adjustable Wire Shelf

Size	Component #
8\"/>	

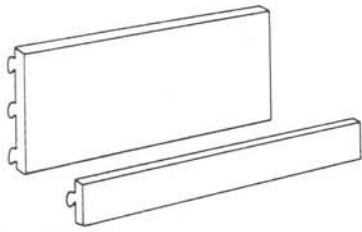
- Wire Shelves available in choice of Gray (-5) or White (-6) powder coated finish. Other custom colors may be available for large volume programs.



Wire Binning

Size/Description	Component #
3\"/>	

- Intermediate Deck Shelves require special front binning (see listing above).
- Front to Back and Cross Binning is the same for Standard and Deck Shelves.
- All Wire Binning available in Gray (-5), White (-6), Charcoal (-11), Red (-20), Blue (-8) or Yellow (-23) powder coated color finishes. Add color suffix number to end of component # when ordering.



Clip-on Decor Panels

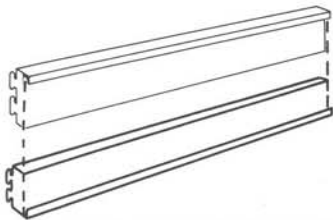
Size	Component #
5"H x 36"W	3476-2
5"H x 48"W	3476-3
7 1/2"H x 36"W	3476-8
7 1/2"H x 48"W	3476-9
12"H x 36"W	3478-11
12"H x 48"W	3478-12
17"H x 36"W	3478-2
17"H x 48"W	3478-3

• Clip-on Decor Panels may be silkscreened with graphics or terms, inquire for further information.

• Pre-spaced Vinyl Letters may be applied to Decor Panels or inserts on Reversible Sign Holders.

• Decor Panels available in choice of Gray(-5), White(-6), Charcoal(-11) or Red(-20) powder coated color finish. Other custom colors may be available for large volume programs.

• Panel #4508 to be used on outside of frames, inquire for further ordering procedures.



Adjustable Sign Holder

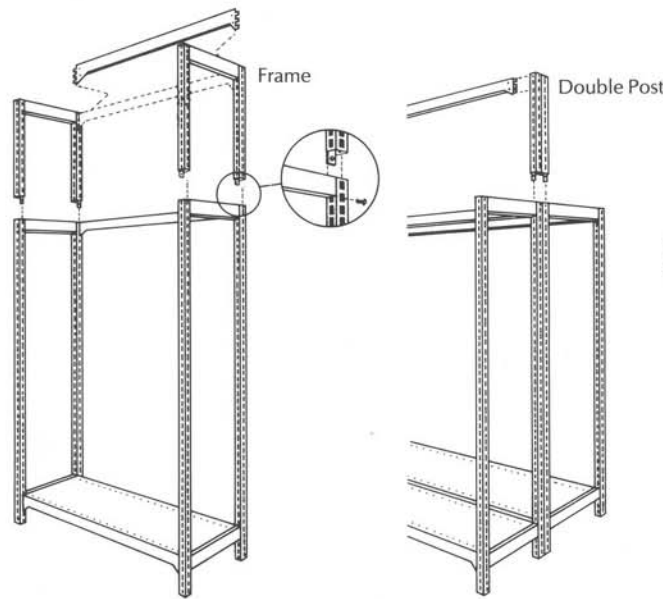
Size/Description	Component #
36" L Sign Holder	3910-2
48" L Sign Holder	3910-3

• (2)-Adjustable Sign Holders required sign.

• Inserts for sign holders quoted on an individual job basis (based on materials to be used), inquire for cost estimate.

• Adjustable Sign Holders available in choice of Gray(-5), White(-6), Charcoal(-11) or Red(-20) powder coated color finish. Other custom colors may be available for large volume programs.

• Grid Support Brackets and Panels available in choice of Gray(-5), White(-6), Charcoal(-11) or Red(-20) powder coated color finish. Other custom colors may be available for large volume programs.

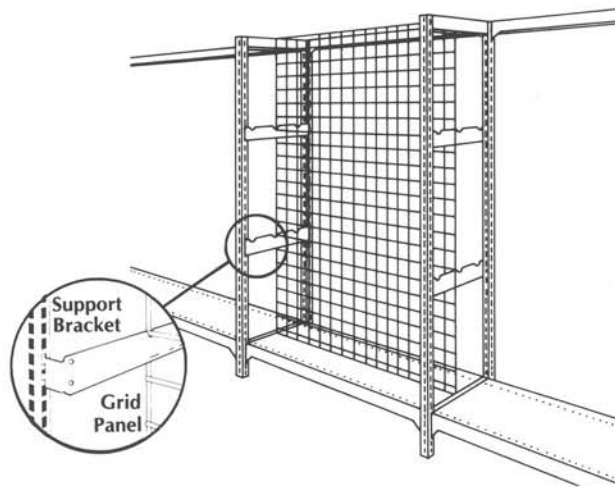


Post Extenders

Size/Description	Component #
18"D x 24"H Extender Frame	4175-9
24"D x 24"H Extender Frame	4175-12
24"D x 45"H Extender Frame	4175-5
45"T Double Post Extender	4176-1
36" L Truss	4013-2
48" L Truss	4013-1

• Post Extenders and trusses available in matching standard colors for frames (see "Components" section of this catalog).

• Minimum of (1)-Truss required when using Frame Extenders or Double Post Extenders.



Grid Suspension Panel and Bracket

Size/Description	Component #
18" L Grid Support Bracket	4149-2
24" L Grid Support Bracket	4149-1
33"W x 51"H Grid Panel (for 36"W x 60"H units)	5116-26
45"W x 51"H Grid Panel (for 48"W x 60"H units)	5116-22
33"W x 75"H Grid Panel (for 36"W x 84"H units)	5116-27
45"W x 75"H Grid Panel (for 48"W x 84"H units)	5116-24
33"W x 84"H Grid Panel (for 36"W x 92"H units)	5116-23
45"W x 84"H Grid Panel (for 48"W x 92"H units)	5116-19

• For 60"T units, use (4)-Grid Support Brackets.

• For 84"T and 92"T units, use (6)-Grid Support Brackets.

Accessories

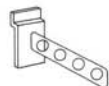
The VersiStore system includes several accessories from integrated signage to shelving to unit extenders designed to provide unique approaches for merchandising a variety of products.

This section contains a basic listing of accessories and merchandising concepts.

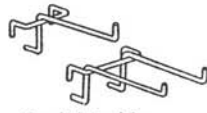
Attach the appropriate color suffix number(s) (shown under color options at end of each listing) to the end of the unit number(s) when ordering (e.g. #4000-11-5 provides a gray 10" x 36" standard shelf).



Straight Hook



Downslant w/Holes



Single/Double Straight Hooks



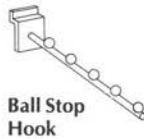
Ball Stop Hooks



Display Hook



Safety Hook



Ball Stop Hook



'J' Hook



'J' Hooks



Downslant w/Holes



Economy Hook



Straight Shelf

Metal Trakwall Backpanel Hooks and Downslants

Size/Description	Component #
Straight Hook (1/4" Dia.)	
3/4" L	3894-1-50
2" L	3894-2-50
4" L	3894-3-50
6" L	3894-4-50
8" L	3894-5-50
Downslant w/Holes	
4 Hole/12" L	5123-1-50
6 Hole/12" L	5123-2-50
Ball Stop Hook	
5Ball/12" L	5052-1-50
'J' Hook	
3 'J's'/10" L	5053-1-50
Straight Shelf	
5" D x 12" W Shelf	3896-2
7" D x 12" W Shelf	3896-4

• Straight Shelves may be powder coated in a choice of color options, inquire for details. All other hooks available in chrome finish.

Grid Backpanel Hooks

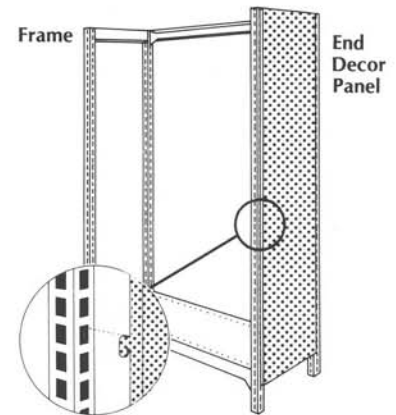
Size/Description	Component #
Straight Hook	Single Double
1" L	5046-6 5087-6
3" L	5046-7 5087-7
6" L	5046-8 5087-8
9" L	5046-9 5087-9
12" L	5046-10 5087-10
Ball Stop Hook	
4 Ball	5050-1-50
6 Ball	5050-2-50
'J' Hook	
3 'J'	5049-1-50
6 'J'	5049-2-50
Downslant w/Holes	
4 Hole	5122-1
6 Hole	5122-2

• Straight and Downslant w/Hole hooks may be powder coated in a choice of color options, inquire for details. All other hooks available in chrome finish.

Pegboard Backpanel Hooks

Size/Description	Component #
Display Hooks	
4" L (3/16" Dia.)	579-4-50
6" L (3/16" Dia.)	579-6-50
9" L (1/4" Dia.)	5080-9-50
12" L (1/4" Dia.)	5080-12-50
Safety Hooks	
4" L Safety Hook	3511-1-50
6" L Safety Hook	3511-2-50
9" L Safety Hook	3511-3-50
12" L Safety Hook	3511-4-50
Economy Hooks	
2" L Economy Hook	5043-2-50
4" L Economy Hook	5043-4-50
6" L Economy Hook	5043-6-50
8" L Economy Hook	5043-8-50
10" L Economy Hook	5043-10-50

• All Pegboard hooks available in chrome finish.



Clip-on End Decor Panels

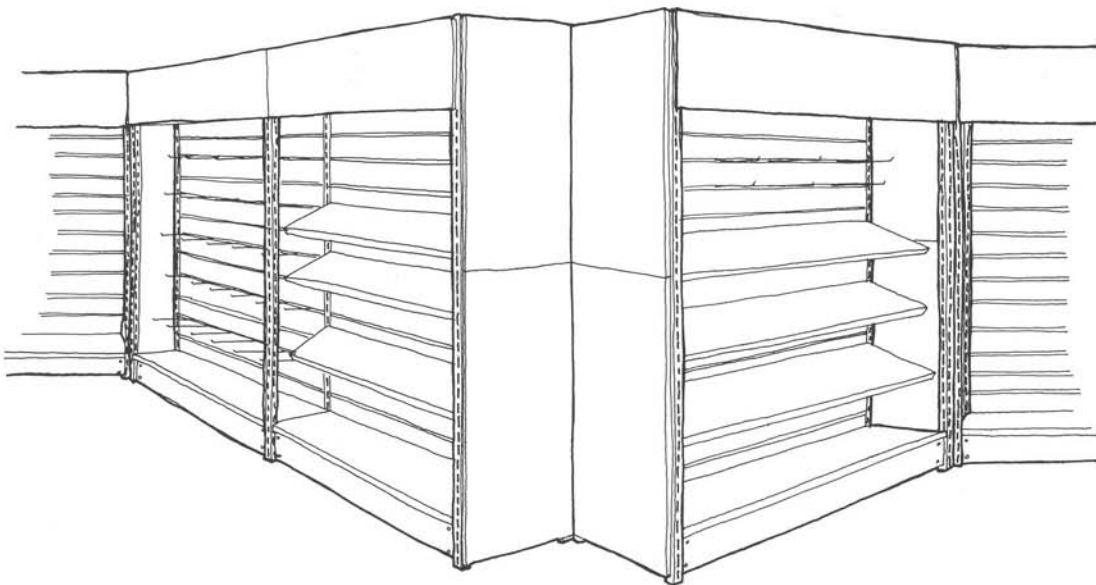
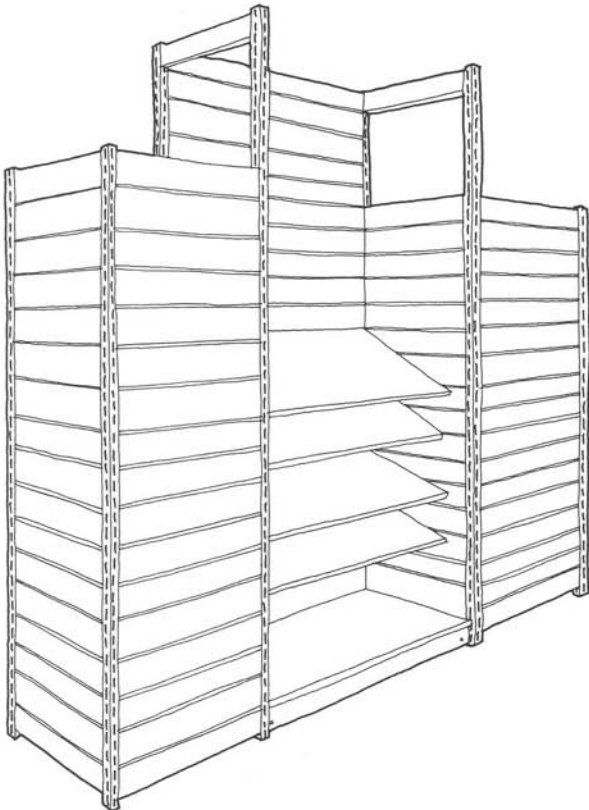
Size	Component #
18" W x 40" H	3909-6
18" W x 44" H	3909-3
18" W x 45" H	3909-9
18" W x 55" H	3909-8
24" W x 40" H	3909-5
24" W x 36 1/2" H	3909-14
24" W x 44" H	3909-2

• Order the following panels for the size frame listed:

- 60" Frame takes: (1)-55" Panel
- 84" Frame takes: (2)-40" Panels
- 92" Frame takes: (2)-44" Panels

• Clip-on End Decor Panels available in choice of Gray(-5), White(-6), Charcoal(-11) or Red(-20) powder coated color finish. Other custom colors may be available for large volume programs.

On this page are a series of accessory modified Versistore application drawings. With a little imagination, VersiStore can be expanded far beyond the accessories on the previous pages.



Accessories

Metal Dynamics Ltd.

30 East Tenth Street • New Albany, IN 47150
Phone- (812) 949-7998 Fax- (812) 949-8187



Versi Garage 4 Post Shelving



Versi Garage Work Bench

MADE IN U.S.A. 

Metal Dynamics Ltd.

30 East Tenth Street • New Albany, IN 47150
Phone- (812) 949-7998 Fax- (812) 949-8187

Football Shoulder Pad Drying and Storage Rack Concept

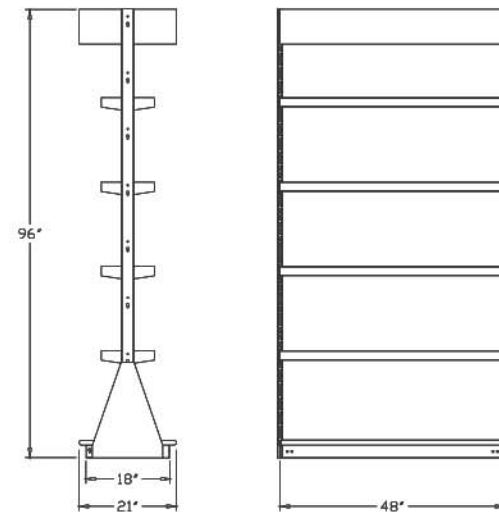


- Sturdy All Steel Construction
- Durable Powder Coat Finish
- Unit Shown with Optional Canopy



- Unit Shown with Optional Top Shelves

Product Dimensions



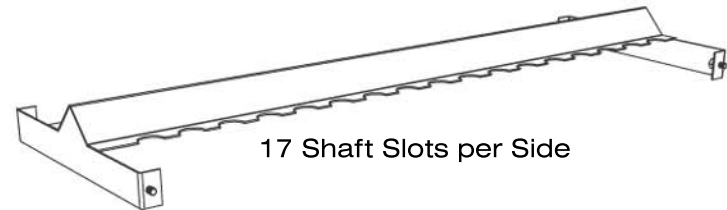
Metal Dynamics Ltd.

30 East Tenth Street • New Albany, IN 47150
Phone- (812) 949-7998 Fax- (812) 949-8187

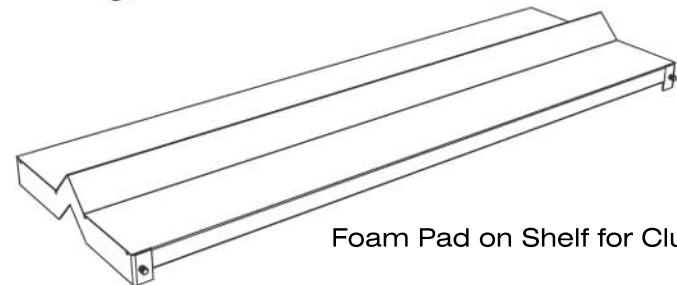
Spacesaver Systems Golf Club Storage Shelves Concept



PRODUCT SPECIFICATIONS



17 Shaft Slots per Side



Foam Pad on Shelf for Club Heads

MADE IN U.S.A. 

Metal Dynamics Ltd.

30 East Tenth Street • New Albany, IN 47150
Phone- (812) 949-7998 Fax- (812) 949-8187

Wall Mounted Gun and Rifle Lock Box



Accessory Shelf

Barrel Rest Covered with
Felt for Protection

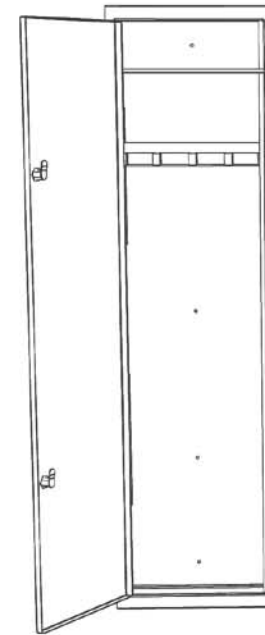
Two Cam Locks for
Greater Security

Holes for Surface Mounting
Unit to a Wall

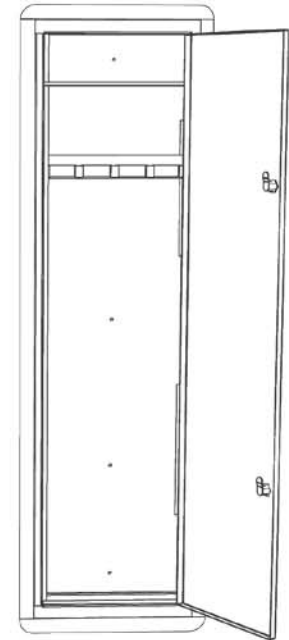
Holes for Flush Mounting
the Unit Between Wall Studs

Mounting Slots
and Shelf Mount
Tabs on Top and
Bottom to Allow
Left and Right
Mounting of Unit

Mounts Left or Right



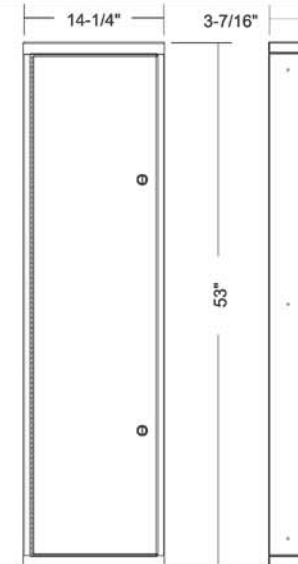
Door Opening
from the Right



Door Opening
from the Left
Shown with trim
for flush mounting

PRODUCT SPECIFICATIONS

- Strong 16 and 18 Gauge Steel Construction
- Coated with a Durable Epoxy Powder Coat



MADE IN U.S.A. 

Metal Dynamics Ltd.

30 East Tenth Street • New Albany, IN 47150
Phone- (812) 949-7998 Fax- (812) 949-8187

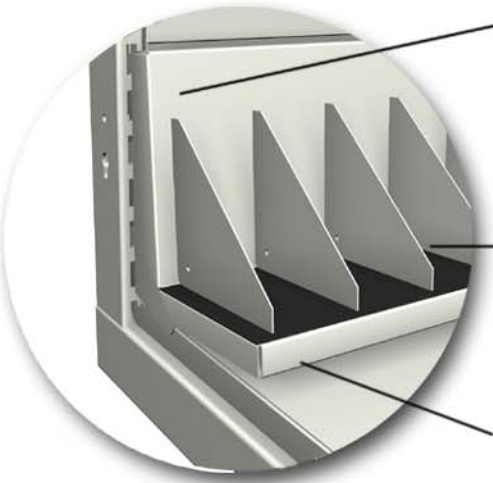
Spacesaver -Evidence Storage- Rifle Rack



Stringer Inserts into
Slotted Upright on each
side

U shaped barrel brackets
are lined with 1/8 inch foam
rubber or felt padding

Holes on each side for
attaching elastic strap

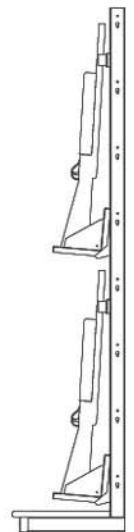
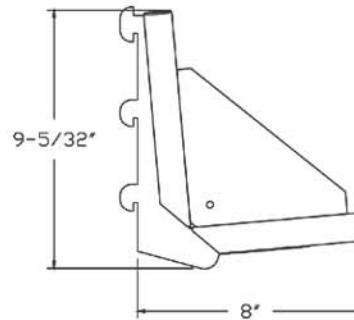
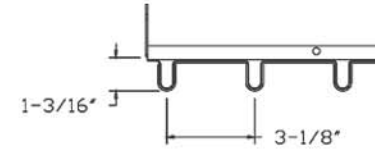
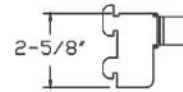


Gun stock shelf Inserts
into Slotted Upright on
each side

15 Possible divided
sections for a 48" unit
and 11 for a 36" unit

Shelf tilts up at a five
degree angle

PRODUCT SPECIFICATIONS



Metal Dynamics Ltd.

30 East Tenth Street • New Albany, IN 47150
 Phone- (812) 949-7998 Fax- (812) 949-8187

Weapons and Gear Storage Hooks



Riot Gear Hook



Offset/Angled Pistol Hooks

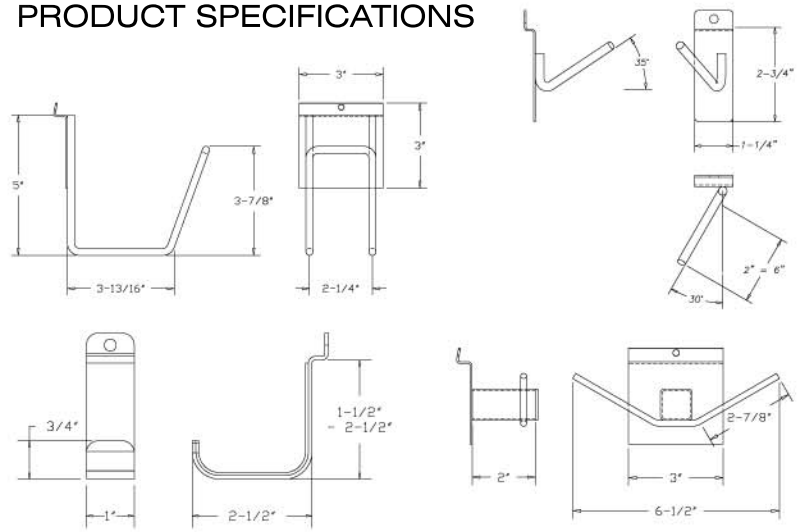


Rifle Hooks



Two Way Pistol Hook

PRODUCT SPECIFICATIONS



MADE IN U.S.A. 

Metal Dynamics Ltd.

30 East Tenth Street • New Albany, IN 47150
Phone- (812) 949-7998 Fax- (812) 949-8187

Pistol Safe Model PLB-01

Mounting Holes in the top, sides, bottom, and back allow for multiple surface attachments as well as attachment to other safes. (see Figure)



Removable Accessory Shelf

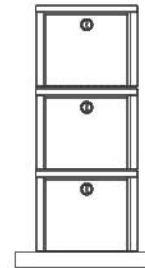
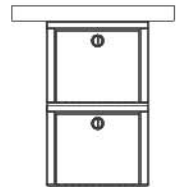
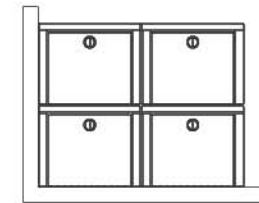
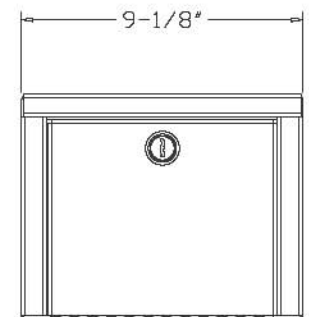
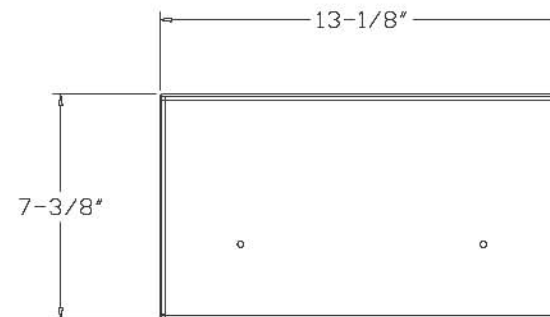


Figure- Example attachment configurations



- Each safe stores 2 handguns
- Finished in durable powder coatings
- Kit includes safe, lock, accessory shelf, foam padding and mounting hardware.
- Heavy duty piano hinge on door
- All welded steel construction

PRODUCT SPECIFICATIONS



Packaged Weight = 11lbs.

MADE IN U.S.A.



Metal Dynamics Ltd.

30 East Tenth Street • New Albany, IN 47150
Phone- (812) 949-7998 Fax- (812) 949-8187

Model LTSC-31, 31 Day Surveillance Video Tape Storage Cabinet



Specially engineered track design, allows tape retrieval without unloading entire stock.

Gussets at the top and bottom of the door for added strength.

Mounting hardware (included) attaches to walls from the inside to prevent theft of the cabinet.

Positive latching mechanism (barrel lock available for added security)

Powder coated finish for durability

Constructed from 16 gauge steel

Push through slots for single tape retrieval

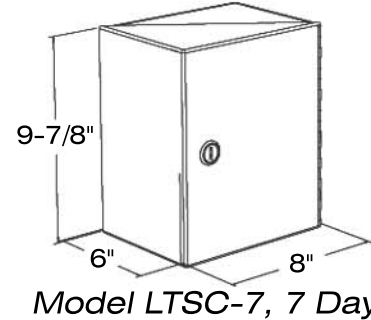
Full length hinge

MADE IN U.S.A. 



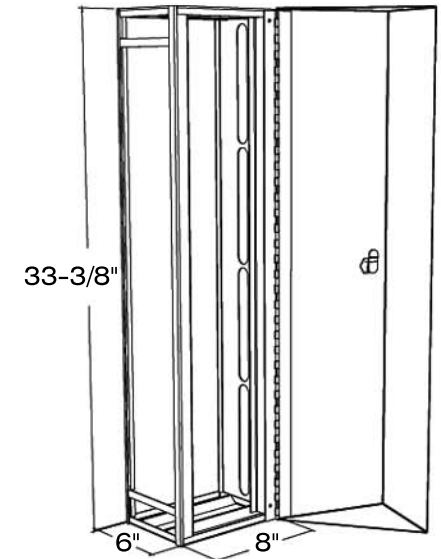
Cabinet can be inverted to open in opposite direction

PRODUCT SPECIFICATIONS



PACKAGED WEIGHT

Model LTSC-7 = 5lbs.
Model LTSC-31 = 20lbs.



Metal Dynamics Ltd.

30 East Tenth Street • New Albany, IN 47150
Phone- (812) 949-7998 Fax- (812) 949-8187

Model LTSC-7

7 Day Video Tape Storage Cabinet



Mounting hardware (not included) can be used to attach the unit to the wall from the inside of the box to prevent theft.

Specially engineered track design, allows tape retrieval without unloading entire stock.

Gussets at the top and bottom of the door add strength and prevent tampering.



Cabinet can be inverted to open in opposite direction



Powder coated finish for durability

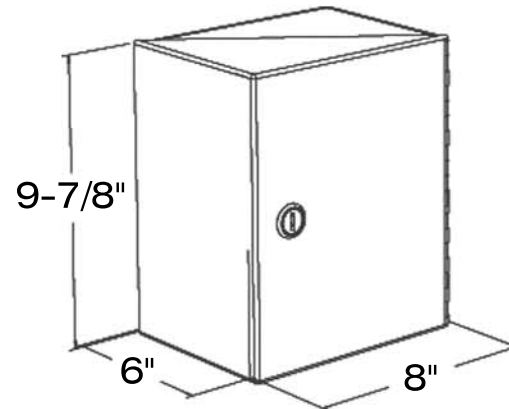
Positive latching mechanism (barrel lock available for added security)

Push through slots for single tape retrieval

Full length hinge

Constructed from 16 gauge steel

PRODUCT SPECIFICATIONS



PACKAGED WEIGHT
Model LTSC-7 = 5lbs.

MADE IN U.S.A. 